



Loop Powered Display Spec. Sheet



730 The Kingsway Peterborough , Ont. K9J6W6 Canada
Tel: (705) 740 – 2010 Web: www.abmsensor.com
Fax: (705) 740 – 2563 E-mail: info@abmsensor.com



Model - #LPD-PM-02



Model - #LPD-WM-02

FEATURES - #LPD-XX-02 Programmable Display for Meters ,Feet and User Defined Units

The ABM Display ,Model LPD-XM-02 current loop powered display indicates the percentage full or empty of the tank whose level is being monitored by a sensor with a 4-20 Ma output. The display can also be calibrated in Meters ,Feet or User Defined units. The display can be changed to indicate 100% at 4mA or 20mA by simply moving an internal link . The display is packaged in a compact NEMA 4X enclosure which can be wall mounted or probe mounted .

Specification:

Display - 4 1/2 Digit LCD 1/2" (12.7mm) High

Temperature - 40 to 140°F (-40 to 60°C)

Voltage Drop: 0.95V @ 20mA

Accuracy Reading +/-0.5%

Humidity: 0 - 95% Non-Condensing

Range: 3.5 mA to 22mA

Maximum current: 150 mA

Display Range:

Normal 100% @ 20mA - 3% to 112%
0% @ 4mA

Reverse 100% @ 4mA - 12% to +113%
0% @ 20mA

22mA and above — LOE (Loss of Echo)

Enclosure: Nema 4X , IP65

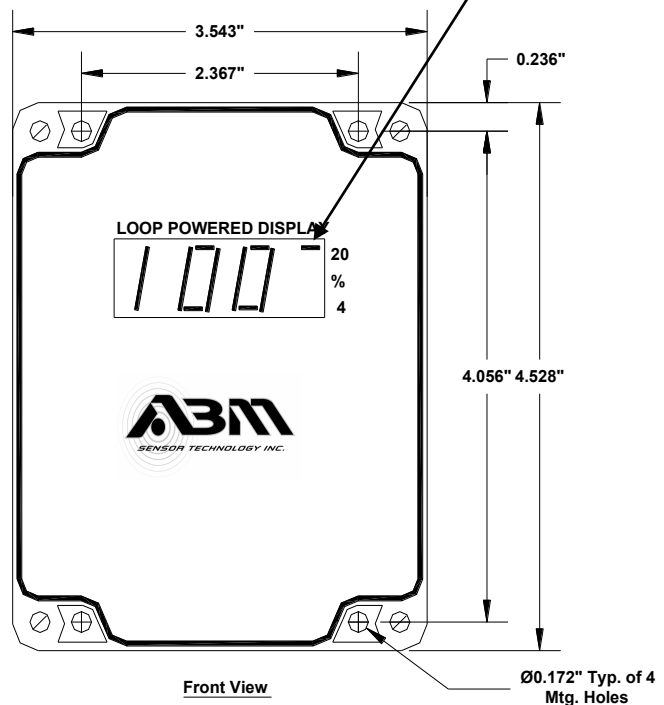
Refer to Catalogue Number below for ordering Information.

Catalogue #LPD-XX-02

WM - wall mount
PM - probe mount

Enclosure Outline:

1/2" High (12.7mm)
3 Digit LCD Display



Loop Powered Display User Instruction Manual



730 The Kingsway Peterborough, Ont. K9J6W6 Canada
 Tel: (705) 740 - 2010 Web: www.abmsensor.com
 Fax: (705) 740 - 2563 E-mail: info@abmsensor.com

Fig.#1) Inter- Connection Diagram For LPD To ABM 3 Wire Level Transmitter

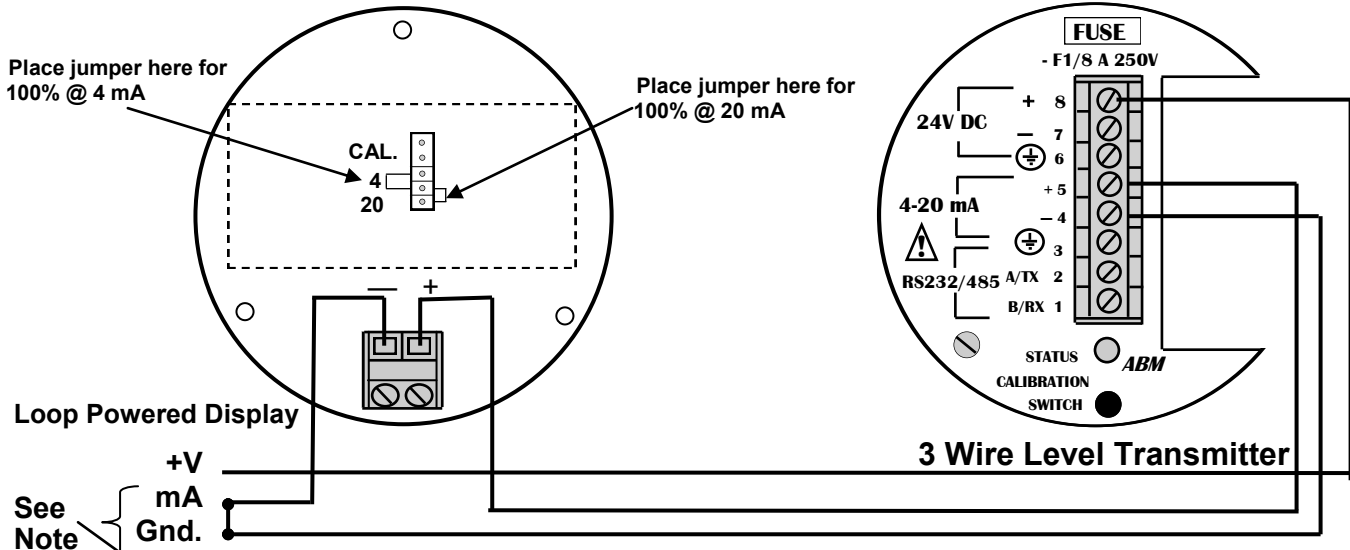


Fig.#2) Inter- Connection Diagram For LPD To ABM 4 Wire Level Transmitter

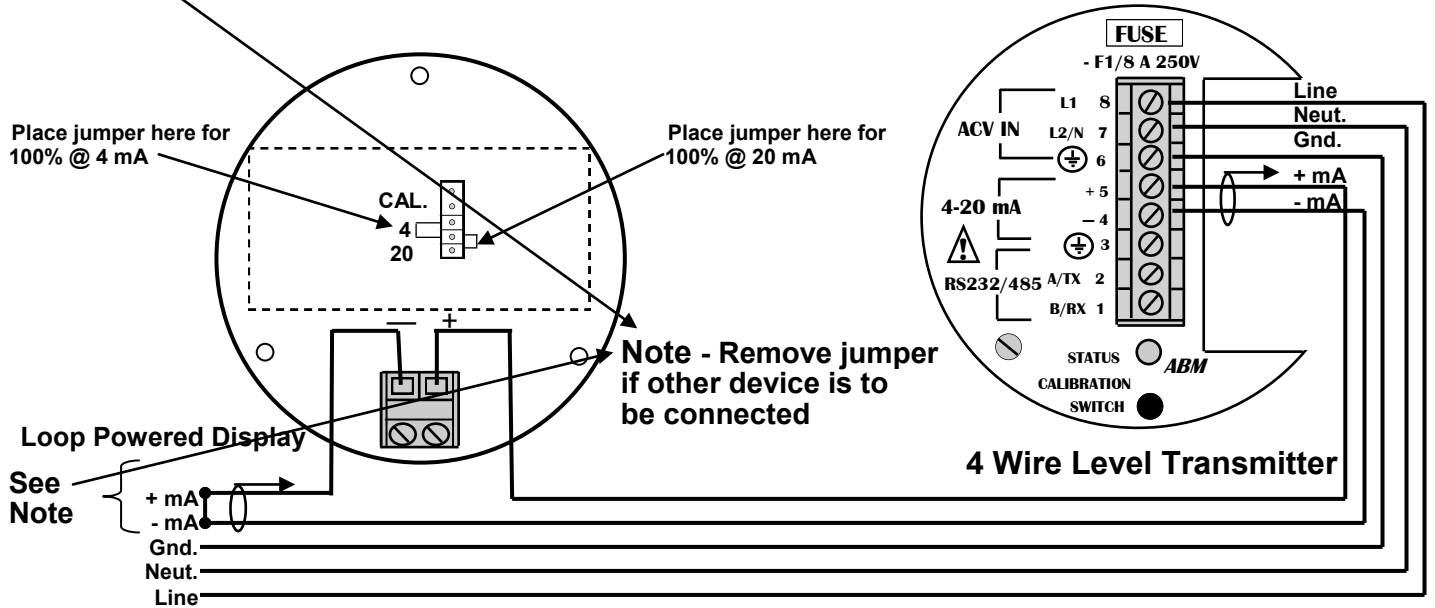
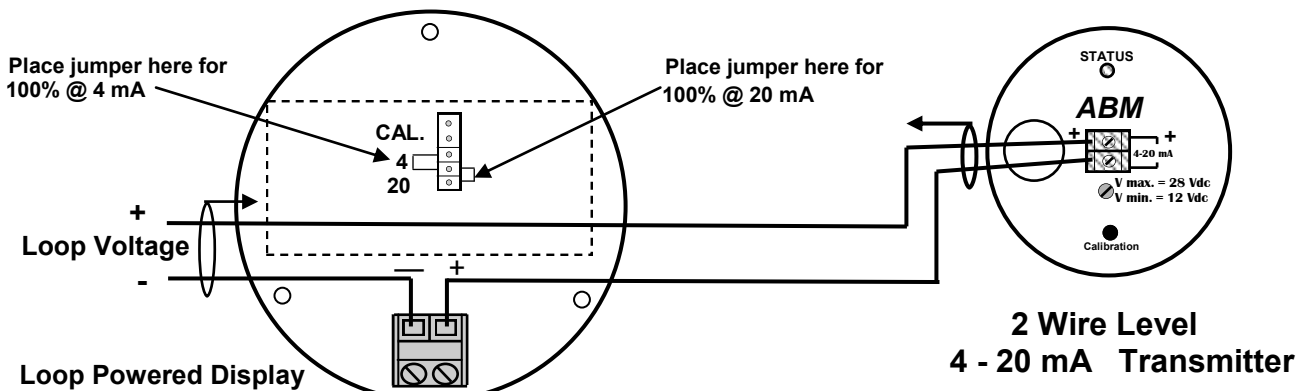


Fig.#3) Inter- Connection Diagram For LPD To ABM 2 Wire Level Transmitter



Loop Powered Display User Instruction Manual



730 The Kingsway Peterborough, Ont. K9J6W6 Canada
 Tel: (705) 740 - 2010 Web: www.abmsensor.com
 Fax: (705) 740 - 2563 E-mail: info@abmsensor.com

Fig.#1) Inter- Connection Diagram For LPD To 3 Wire Level Transmitter

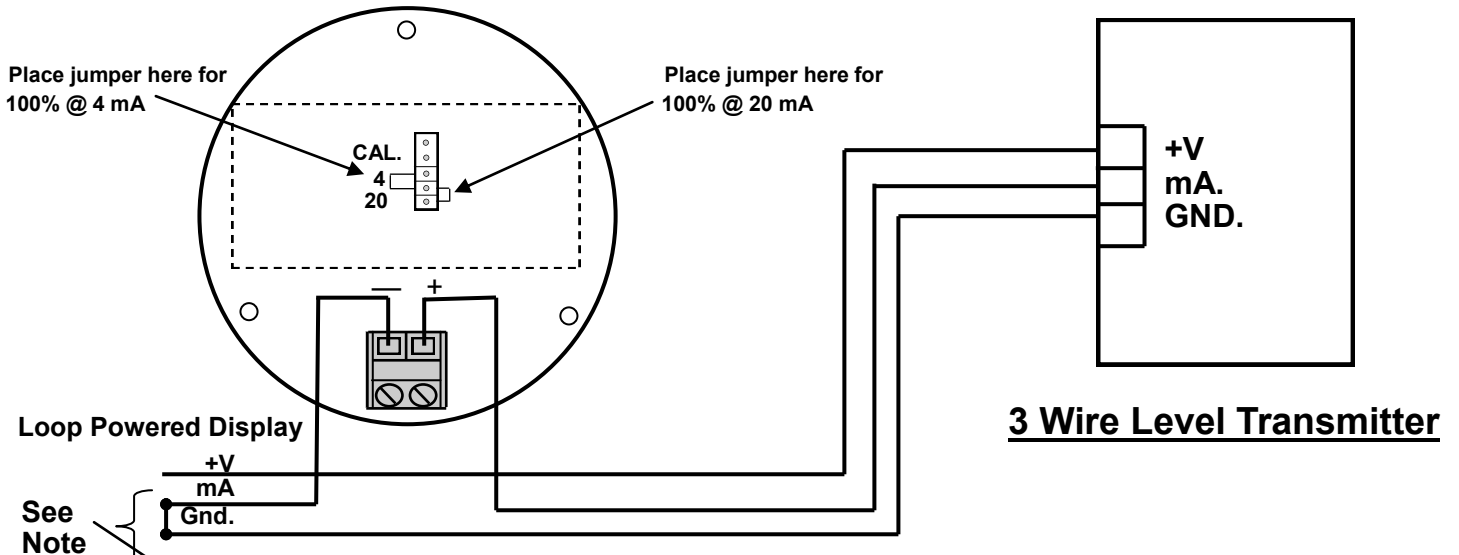


Fig.#2) Inter- Connection Diagram For LPD To 4 Wire Level Transmitter

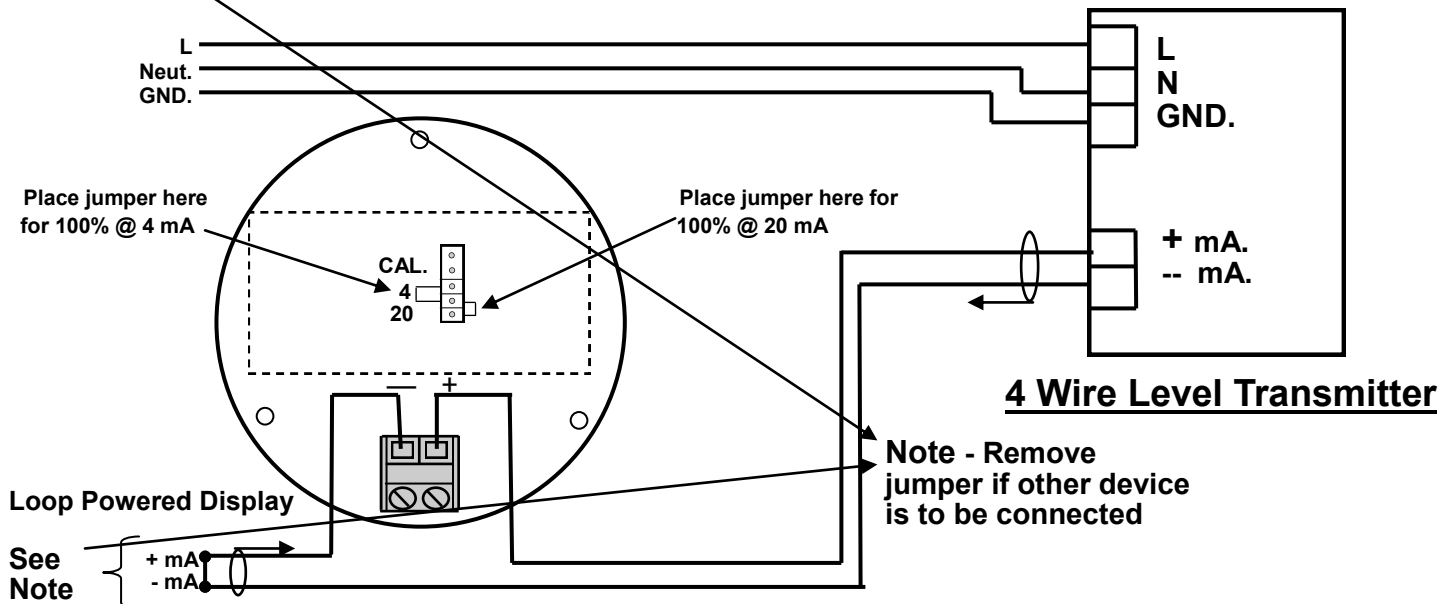
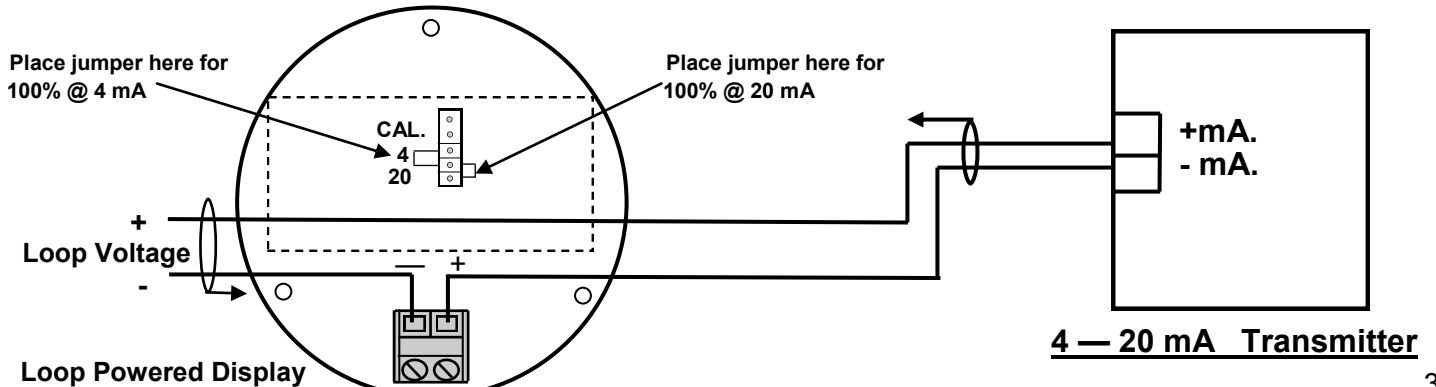


Fig.#3) Inter- Connection Diagram For LPD To 2 Wire Level Transmitter





Loop Powered Display Programming Manual



730 The Kingsway Peterborough, Ont. K9J6W6 Canada
 Tel: (705) 740 - 2010 Web: www.abmsensor.com
 Fax: (705) 740 - 2563 E-mail: info@abmsensor.com

SPECIFICATIONS

PHYSICAL DISPLAY

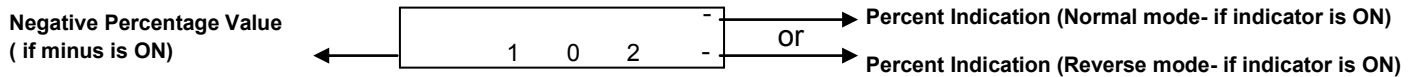
4 1/2 DIGIT LCD



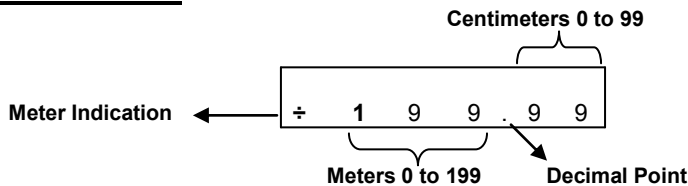
- Display range Normal mode 100% @ 20 mA and 0% @ 4 mA – Setting: jumper J1 to '20'
- Reverse mode 100% @ 4 mA and 0% @ 20 mA – Setting: jumper J1 to '4'
- Display mode Percentage Normal: - 3% to 112% Reverse: - 12% to 113%
- Meter Normal/Reverse: 0.00 m to 199.99 m (0 to 19999 cm)
0 cm corresponds to 0% and up to 19999 cm correspond to 100% in any mode
- Feet Normal/Reverse: 0 ft 00 in to 199 ft 11 in. (0 to 2399 in)
0 ft corresponds to 0% and up to 2399 in. correspond to 100% in any mode
- User defined Normal/Reverse: 0 to 19999 in direct indication and up to 65500 in indirect indication
0 corresponds to 0% and up to 65500 correspond to 100% in any mode

DISPLAY FORMAT INDICATION

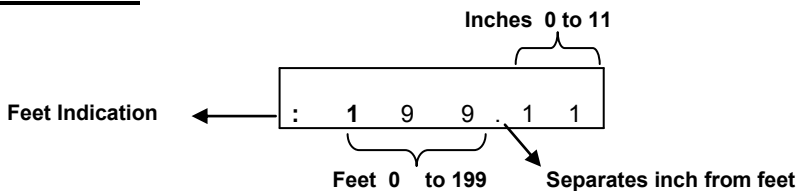
INDICATION IN PERCENTAGE



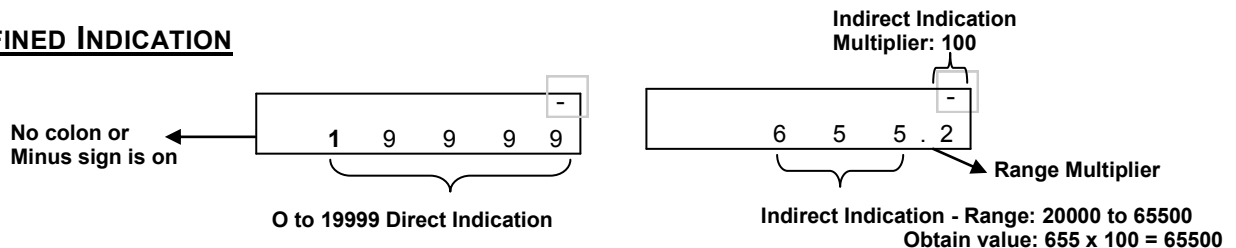
INDICATION IN METERS



INDICATION IN FEET



USER DEFINED INDICATION





Loop Powered Display Programming Manual Examples



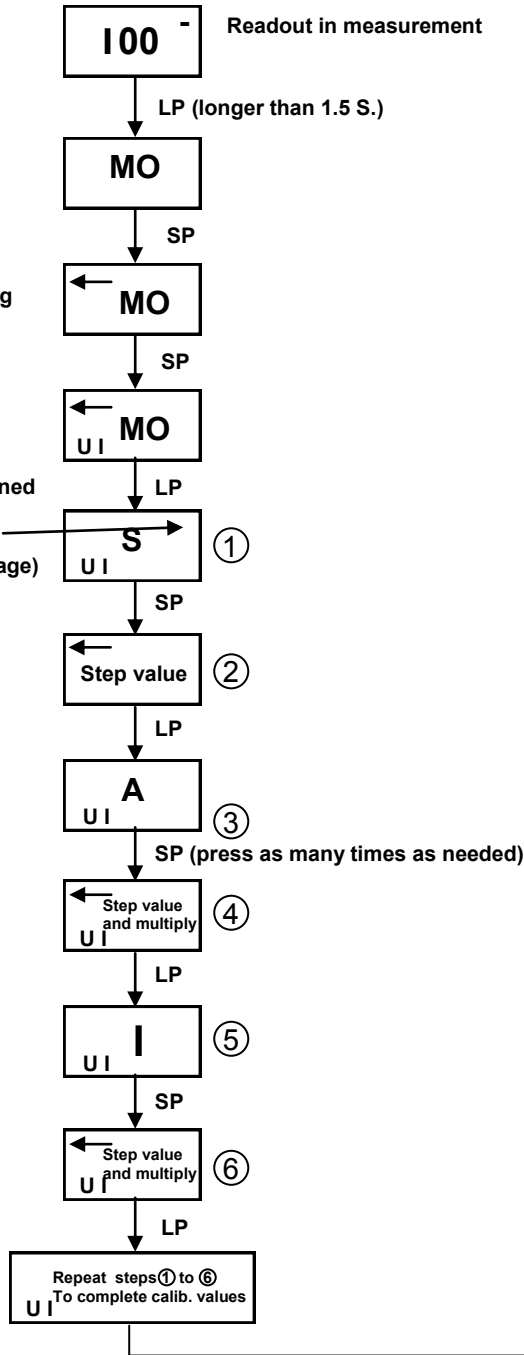
730 The Kingsway Peterborough, Ont. K9J6W6 Canada
Tel: (705) 740-2010 Web: www.abmsensor.com

Readout Setup

Long Press - LP
Short Press - SP
Menu Options - MO
Unit Indicator - UI

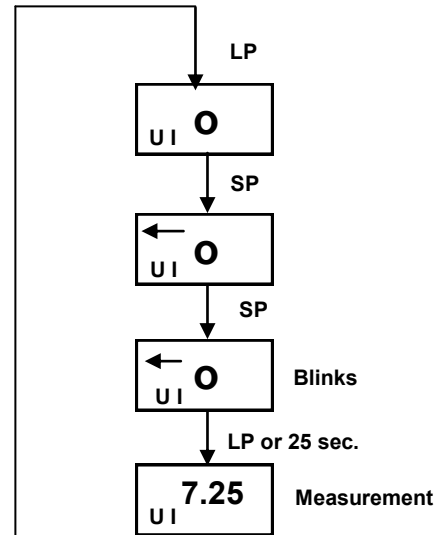
Menu Editing

Unit Indicator: UI
÷ Meters
: Feet/Inch
No sign - User Defined indicator
- on right side of display (Percentage)



Menu options: MO

- P - percentage
- E - meter ÷
- F - feet/inch :
- L - liter
- S - step
- A - max calibration value - Max. height of the material
- I - min calibration value - Min. height of the material
- o - store settings (for 100% at 20 mA.)

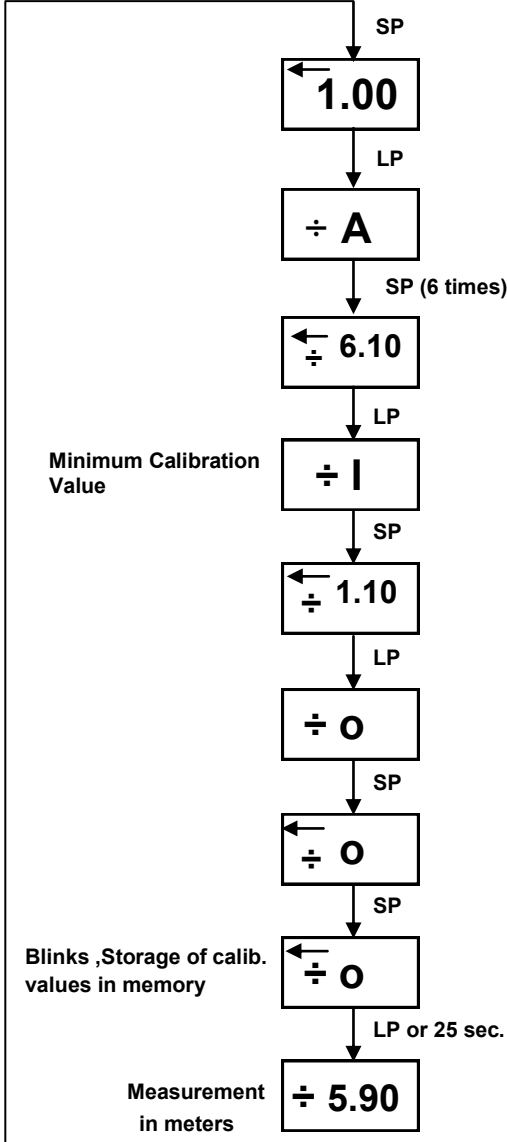
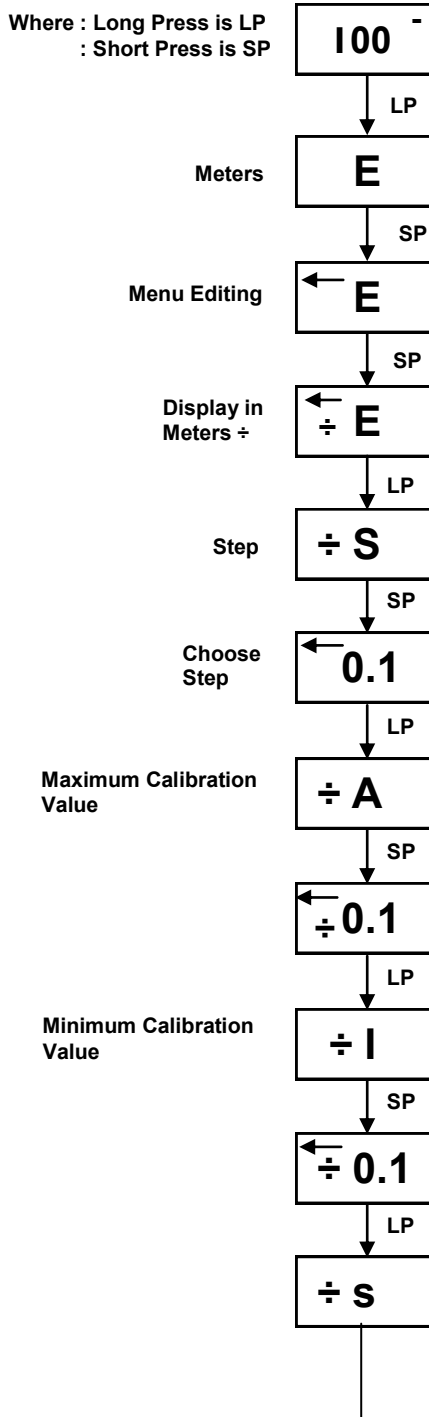


Display format:	Meter			Foot			Liter		
	min	max	default	min	max	default	min	max	default
Calibration value									
Boundaries:									
Min	0.00	199.99	0.00	0	199' 11"	0	0	65500	0
Max	0.00	199.99	199.99	0	199' 11"	199' 11"	0	65500	19999
Possible values for Step (positive and negative)	0.01m	-0.01m		1in	-1in		1	-1	
	0.10m	-0.10m		1ft	-1ft		10	-10	
	1.00 m	-1.00m		10ft	-10ft		100	-100	
	10.00m	-10.00m		100ft	-100ft		1000	-1000	
	100.00m	-100.00m					10000	-10000	

Example 1 :

From Normal Percent Display Mode (100% = 20 Ma.) program readout in meters with :
 Maximum Calibration Value equal to 6.1 m and
 Minimum Calibration Value equal to 1.1 m.

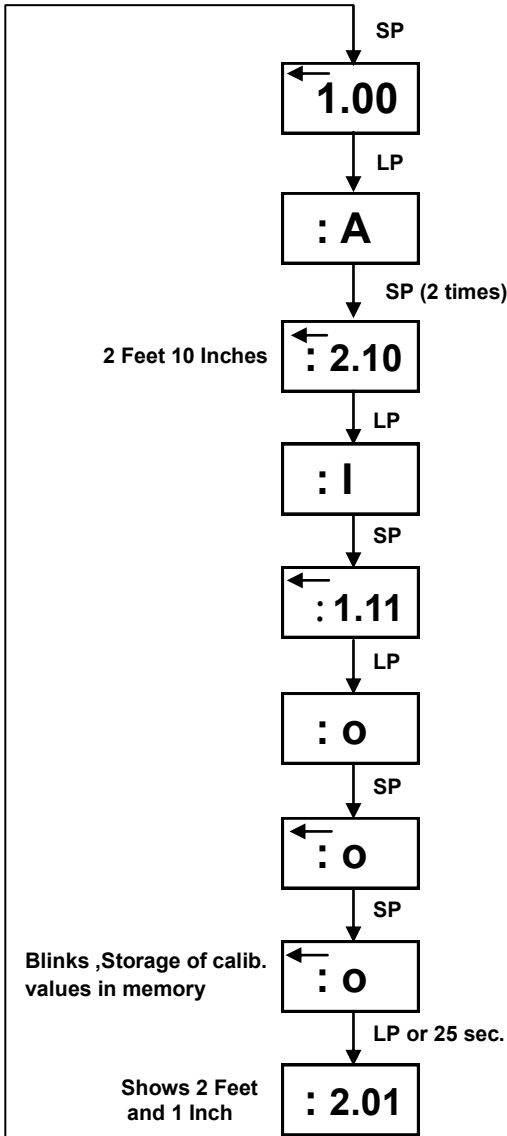
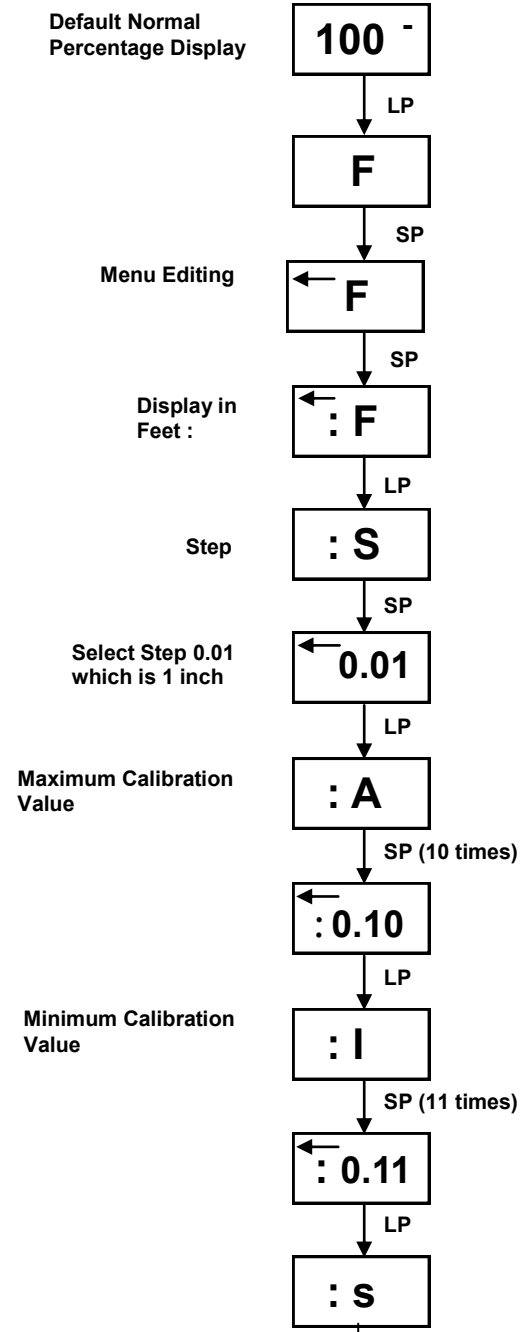
Where : Long Press is LP
 : Short Press is SP



Example 2 :

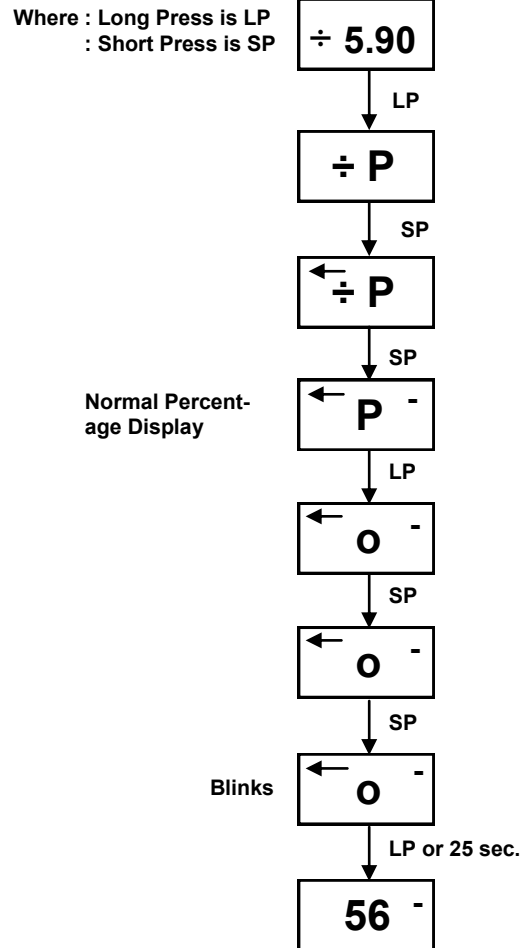
From Normal Percent Display Mode (100% = 20 Ma.) program readout in Feet and inches with :
 Maximum Calibration Value equal to 2 Ft. 10 inches and
 Minimum Calibration Value equal to 1 Ft. 11 inches

Where : Long Press is LP
 : Short Press is SP



Example 3 :

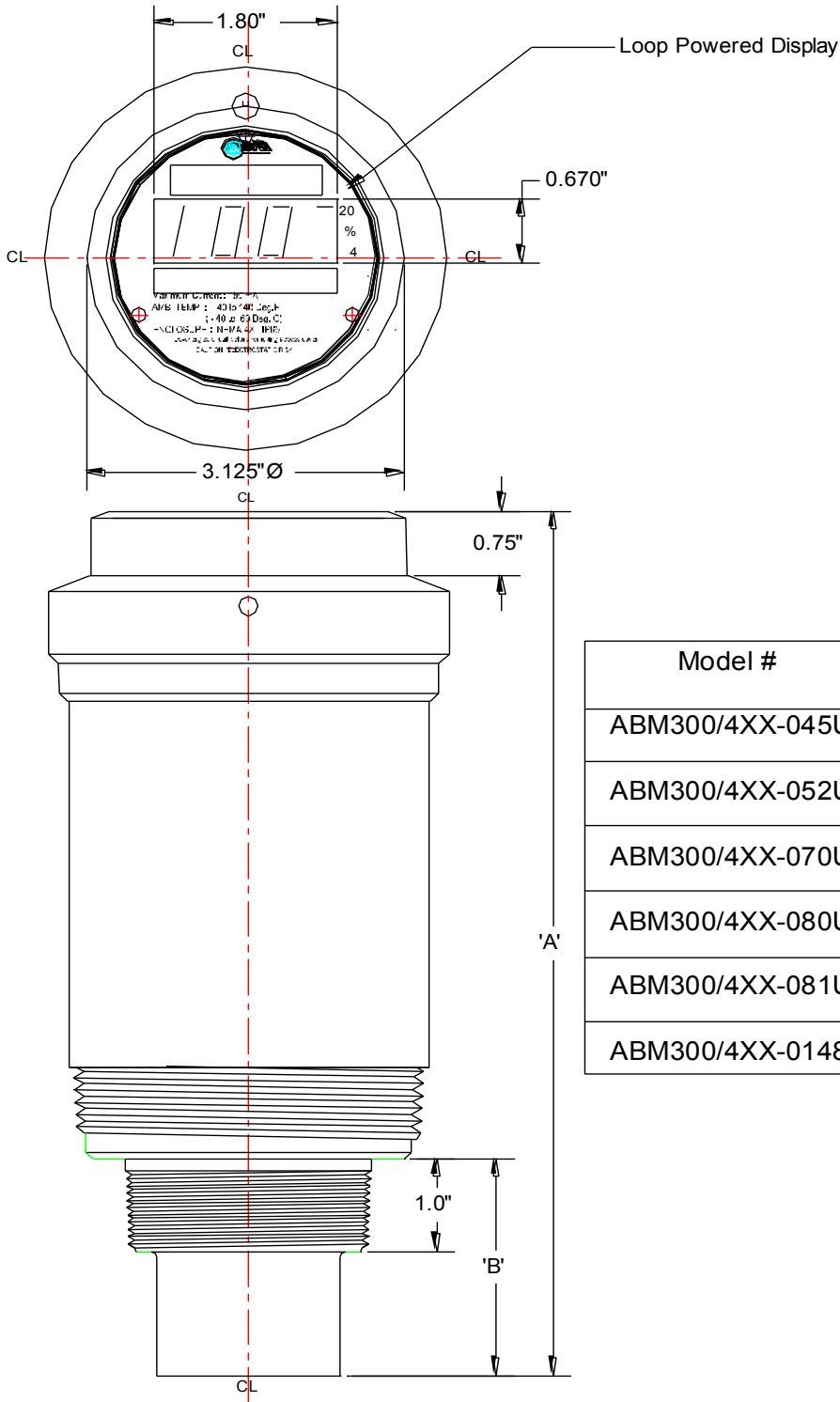
Readout is programmed in Meters go back to Normal Percent Display Mode (100% = 20 Ma.)



Probe Mounting Equipment Technical Specifications



730 The Kingsway Peterborough, Ont. K9J6W6 Canada
 Tel. (705) 740 - 2010 Web: www.abmsensor.com
 Fax: (705) 740 - 2563 E-mail: info@abmsensor.com



Model #	Dimension 'A'	Dimension 'B'
ABM300/4XX-045UL	9.65"	3.0"
ABM300/4XX-052UL	10.05"	3.05"
ABM300/4XX-070UL	9.25"	2.25"
ABM300/4XX-080UL	9.25"	2.25"
ABM300/4XX-081UL	9.15"	2.1"
ABM300/4XX-0148UL	9.0"	2.0"